

Dental Chair

# PRO II

037/039



 Belmont®

Protection for Professionals

# PRO II 037/039

## AXIS POWER HEADREST (STANDARD FEATURE FOR 039)

moves smoothly due to its axis mechanism which simulates rotation of patient's neck, and patient can comfortably keep mouth open and provides dentist with an improved view of oral cavity.



## TWIN AXIS ARTICULATING HEADREST (STANDARD FEATURE FOR 037)

is reversible and suitable for both children and adults.



## SWING-OUT ARMREST

for easy entry and exit for patient.

## LUMBER SUPPORT

is anatomically correct in all positions.

## UPHOLSTERY

Easy to clean, seamless upholstery.  
Flame retardant.

A choice from 8 colours.



PRO II CHAIR FEATURES A FOLDING LEGREST WHICH PROVIDES EASY ENTRY AND EXIT.

This unique design creates an ideal environment for personal consultation and communication between dentist and patient.

HANDS-FREE OPERATION PERMITS EFFECTIVE INFECTION CONTROL.

3 preset positions, back and base movements are operated by foot lever.

Dentist, staff, and patient are protected from disease transmission from finger-to-switch contamination.

Eye to oral cavity contact can be maintained during procedure.

THE SYNCHRONOUS MOVEMENT OF BACKREST AND SEAT PERFECTLY FITS PATIENT'S BODY.

## STATUS INDICATOR PANEL

incorporates simple to operate chair position programmes (max. 8) and self diagnostic function.



## ROLL-UP LEGREST

extends when chair is in a preset position and retracts when chair is in a consultation position or entry/exit position.



## ROTATION

Chair rotates to maximum of 110° to Left & Right.

## FOOT CONTROLS

allow operator to position patient quickly and correctly leaving hands free and clean.



- ① LOCK PEDAL
- ② MANUAL (BACK & BASE MOVEMENTS)
- ③ AUTO-RETURN/2 PRESETS/LAST POSITION MEMORY
- ④ MANUAL (BACK & BASE MOVEMENTS)

## FOOT SWITCH FOR HEADREST (STANDARD WITH 039)

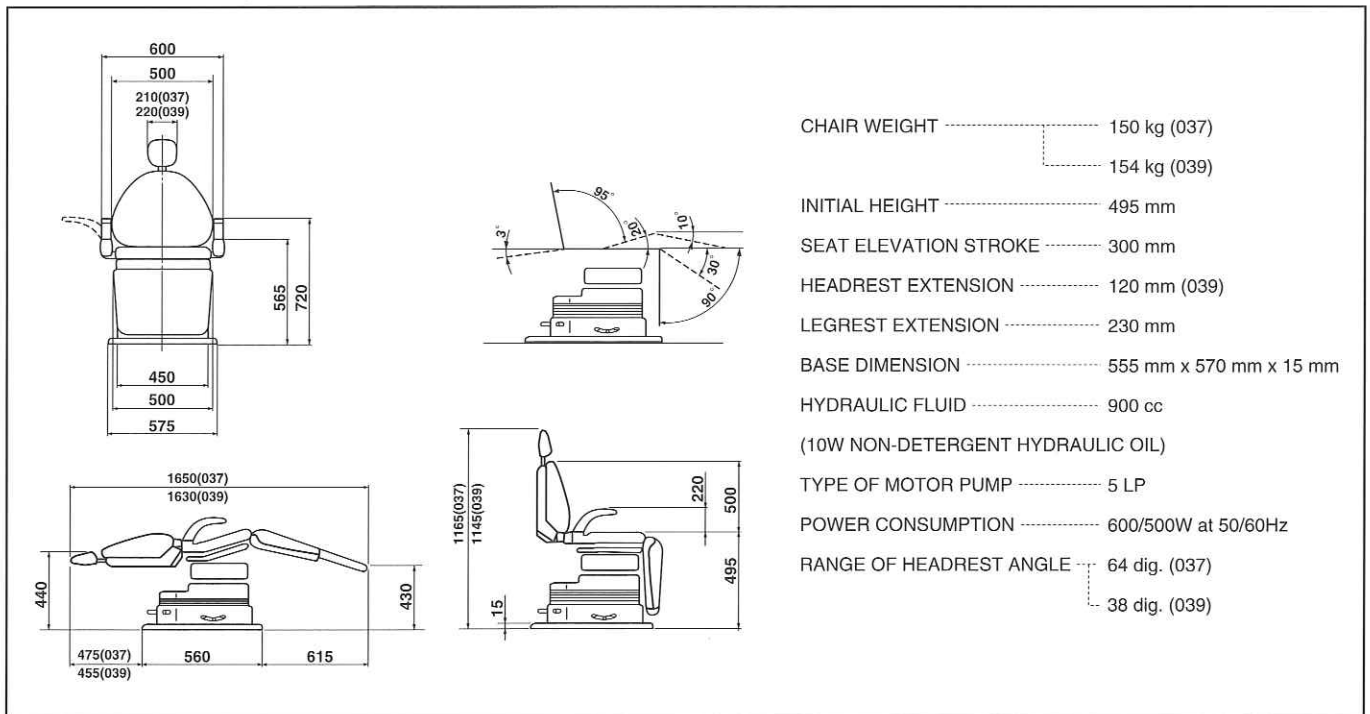
Hands-free operation of power headrest eliminates risk of cross contamination from hand-to-headrest contact.



# PRO II



## Dimensions/Specifications



The manufacturers reserve the right to alter and improve the specification without notice.

**Belmont®**  
**Takara Belmont (UK) Ltd.**  
 Belmont House, One, St. Andrews way, Bow,  
 London E3 3PA U.K. Tel: +44 (0)20-7515-0333  
<http://www.takara.co.uk> Fax: +44 (0)20-7987-3596